**3 Cells Battery Professional Protectors****General Description**

The BM3452 is a professional protection IC for 3 cells rechargeable battery pack; it is highly integrated, and generally used in power tools, electric bicycles and UPS applications.

The BM3452 works constantly to monitor each cell's voltage, the current of charge or discharge, and the temperature of the environment to provide overcharge, over-discharge, discharge overcurrent, short circuit, charge overcurrent and over-temperature protections, etc. Besides, it also can change the protection delay time of overcharge, over-discharge and discharge overcurrent by setting the external capacitors.

Features**(1) High-accuracy voltage detection for each cell**

·overcharge threshold	3.6V~4.6V	accuracy: ± 25 mV (+25°C) accuracy: ± 40 mV (-40°C to +85°C)
·overcharge hysteresis	0.1V	accuracy: ± 50 mV
·over-discharge threshold	1.6V~3.0V	accuracy: ± 80 mV
·over-discharge hysteresis	0V / 0.2V / 0.4V	accuracy: ± 100 mV

(2) Three grades voltage detection of discharge overcurrent

·discharge overcurrent 1	0.025 V ~ 0.30 V (50 mV step)
·discharge overcurrent 2	0.2 V / 0.3V / 0.4V / 0.6 V
·short circuit	0.8V / 1.2 V

(3) Charge overcurrent detection

·detection voltage	-0.03V / -0.05V / -0.1V / -0.15V / -0.2 V
--------------------	---

(4) Setting of output delay time

·overcharge, over-discharge, discharge overcurrent 1 and discharge overcurrent 2 protection delay time can be set by external capacitors

(5) Controlling the state of charge or discharge by external signals**(6) The maximum output voltage of CO / DO: 12V****(7) Over-temperature protection****(8) Wide operation Temp Range: -40°C~85°C****(9) Breaking Wire Protection****(10) Low power consumption**

·operation mode (with Temp protection)	25 μ A	typical
·operation mode (without Temp protection)	15 μ A	typical
·sleeping mode	6 μ A	typical

Applications

- Power tool
- Electric bicycle
- UPS backup battery

Packages

SOP 16

Block Diagram

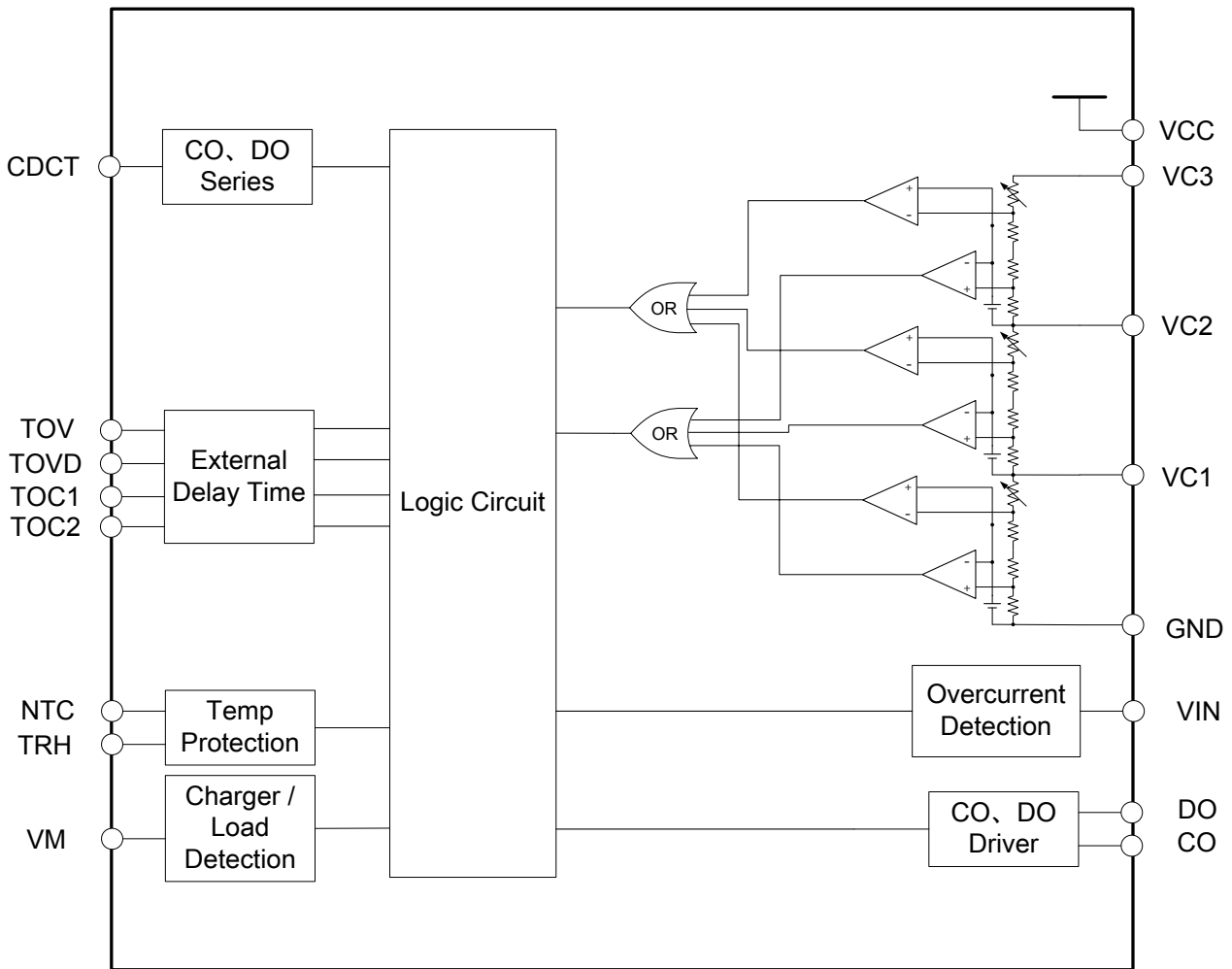


Figure 1

Selection Guides

1. Products name structure

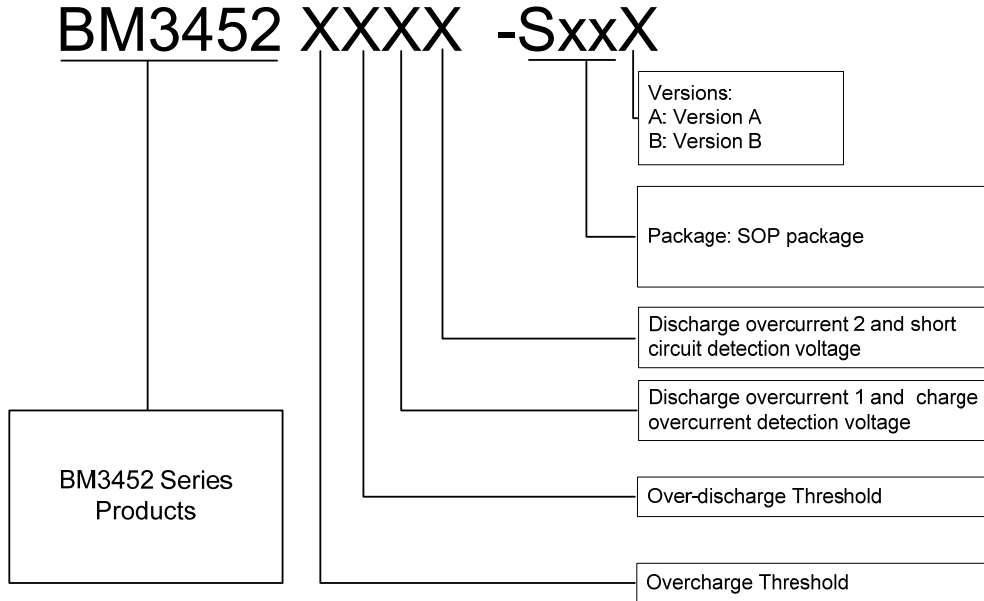


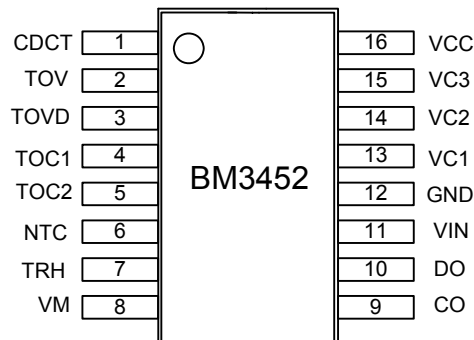
Figure 2

2. Products catalogue

Type/Item	Overcharge protection voltage [V _{DET1}]	Overcharge release voltage [V _{REL1}]	Over-discharge protection voltage [V _{DET2}]	Over-discharge release voltage [V _{REL2}]	Discharge overcurrent 1 detection voltage [V _{OC1}]	Discharge overcurrent 2 detection voltage [V _{OC2}]	Short circuit detection voltage [V _{SHORT}]	Charge overcurrent detection voltage [V _{OVCC}]
BM3452VJDC-S16A	4.300V	4.200V	2.500V	2.700V	0.100V	0.400V	0.800V	-0.100V
BM3452SMDC-S16A	4.225V	4.125V	2.800V	3.000V	0.100V	0.400V	0.800V	-0.100V
BM3452HEDC-S16A	3.850V	3.750V	2.000V	2.500V	0.100V	0.400V	0.800V	-0.100V

Table 1

Pin Configurations



Top View

Figure 3

**Pin Definition**

Pin number	Name	Description
1	CDCT	CO ,DO controller for extended application
2	TOV	Connect to a capacitor for setting the delay time of overcharge protection
3	TOVD	Connect to a capacitor for setting the delay time of over-discharge protection
4	TOC1	Connect to a capacitor for setting the delay time of discharge overcurrent 1 protection
5	TOC2	Connect to a capacitor for setting the delay time of discharge overcurrent 2 protection
6	NTC	Cell temperature detection
7	TRH	Temperature protection reference
8	VM	Voltage detection terminal 1 for detecting load or charger
9	CO	Charge power mosfet control terminal, Open-Drain output
10	DO	Discharge power mosfet control terminal, CMOS output
11	VIN	Charge and Discharge overcurrent Voltage detection terminal 2
12	GND	Ground pin of the IC, Cell1 negative input
13	VC1	Cell1 positive input, Cell2 negative input
14	VC2	Cell2 positive input, Cell3 negative input
15	VC3	Cell3 positive input
16	VCC	Power supply, Cell3 positive input

Table 2

Absolute Maximum Ratings

Item	Symbol	Description	Ratings	Unit
Power supply voltage	VCC	-	GND-0.3 ~ GND+30	V
Single cell input voltage	V _{CELL}	V _{cell3} V _{cell2} , V _{cell1}	GND-0.3 ~ GND+6	V
VM input voltage	VM	VM	GND-20 ~ GND+30	V
DO output voltage	V _{DO}	DO	GND-0.3 ~ VCC+0.3	V
CO output voltage	V _{CO}	CO	GND-20 ~ VCC+0.3	V
Operating temperature	T _A	-	-40 ~ 85	°C
Storage temperature	T _{STG}	-	-40 ~ 125	°C

Table 3

Caution: The absolute maximum ratings are rated values exceeding which the product could suffer physical damage. These values must therefore not be exceeded in any conditions.

**Electrical Characteristics**(T_A=25°C unless otherwise specified)

Item	Symbol	Test conditions*1	Min.	Typ.	Max.	Unit	Test circuit
Power supply voltage	VCC	-	5	-	30	V	1
Operating consumption	I _{CC}	V1=V2=V3=3.5V	-	-	25	μA	
Sleeping consumption	I _{SLP}	V1=V2=V3=2.0V	-	-	10	μA	
Overcharge	Protection threshold	V _{DET1} V1=V2=3.5V V3=3.5→4.4V	V _{DET1} -0.025	V _{DET1}	V _{DET1} +0.025	V	2
	Protection delay time	T _{OV} V1=V2=3.5V C _{OV} =0.1μF V3=3.5V→4.4V	0.5	1.0	1.5	s	
	Release threshold	V _{REL1} V1=V2=3.5V V3=4.4V→3.5V	V _{REL1} -0.05	V _{REL1}	V _{REL1} +0.05	V	
	Release delay time	T _{REL1} V1=V2=3.5V V3=4.4V→3.5V	10	20	30	ms	
	Temperature factor(1)	K _{U1} Ta= -40°C to 85°C	-0.6	0	0.6	mV/°C	
Over-discharge	Protection threshold	V _{DET2} V1=V2=3.5V V3=3.5V→2.0V	V _{DET2} -0.08	V _{DET2}	V _{DET2} +0.08	V	3
	Protection delay time	T _{OV} D V1=V2=3.5V C _{OV} D=0.1μF V3=3.5V→2.0V	0.5	1.0	1.5	s	
	Release threshold	V _{REL2} V1=V2=3.5V V3=2.0V→3.5V	V _{REL2} -0.10	V _{REL2}	V _{REL2} +0.10	V	
	Release delay time	T _{REL2} V1=V2=3.5V V3=2.0V→3.5V	10	20	30	ms	
Discharge overcurrent 1	Protection threshold	V _{OC1} V1=V2=V3=3.5V V4=0V→0.12V	V _{OC1} *85%	V _{OC1}	V _{OC1} *115%	V	3
	Protection delay time	T _{OC1} V1=V2=V3=3.5V C _{OC1} =0.1μF V4=0V→0.12V	100	200	300	ms	
	Release delay time	T _{ROC1} V1=V2=V3=3.5V V4=0V→0.12V→0V	100	200	300	ms	
	Resistance between VM and GND	R _{VMS} V1=V2=V3=3.5V V4=0V→0.12V	100	300	500	kΩ	
	Temperature factor(2)	K _{U2} Ta= -40°C to 85°C	-0.1	0	0.1	mV/°C	
Discharge overcurrent 2	Protection threshold	V _{OC2} V1=V2=V3=3.5V V4=0V→0.5V	V _{OC2} *80%	V _{OC2}	V _{OC2} *120%	V	



	Protection delay time	T_{OC2}	$V1=V2=V3=3.5V$ $C_{OC2}=0.1\mu F$ $V4=0V \rightarrow 0.5V$	10	20	30	ms	
Short circuit	Protection threshold	V_{SHORT}	$V1=V2=V3=3.5V$ $V4=0V \rightarrow 1.2V$	V_{SHORT} *80%	V_{SHORT}	V_{SHORT} *120%	V	3
	Protection delay time	T_{SHORT}	$V1=V2=V3=3.5V$ $V4=0V \rightarrow 1.2V \rightarrow 0V$	100	300	600	μs	
Charge overcurrent	Protection threshold	V_{OVCC}	$V1=V2=V3=3.5V$ $V4=0V \rightarrow -0.2V$	V_{OVCC} -0.03	V_{OVCC}	V_{OVCC} +0.03	V	4
	Protection delay time	T_{OVCC}	$V1=V2=V3=3.5V$ $V4=0V \rightarrow -0.2V$	10	20	30	ms	
Output resistances	CO	R_{CO}	Normal time, Co "H" (12V)	3	5	8	k Ω	5
	DO	R_{DO}	Normal time, Do "H" (12V)	3	5	8	k Ω	6
			Protecting time, Do "L"	0.20	0.35	0.50		

Table 4

*1: All the test condition parameters above are designed based on Li+ parameters, other grade parameters can adjust by their own actual voltages.

Function Description

1. Overcharge

During charging, $V_{IN} > V_{OVCC}$ when IC doesn't work in the state of charge overcurrent, If any of VC1, (VC2-VC1), (VC3-VC2) is higher than V_{DET1} and lasts longer than T_{OV} , BM3452 chip considers that the batteries work in the state of overcharge, the output voltage of CO will become to high resistance from high level, and then it will be pulled down to low level by external resistor. The charge MOSFET will be turned off and stop charging.

The overcharge protection state will be released if any of the next conditions occurs:

- (1) All cells' voltage is less than the Overcharge release threshold V_{REL1} and stays a period of time T_{REL1} .
- (2) $V_M > 100mV$ (connecting to the load), Battery voltage is lower than V_{DET1} and stays a period of time T_{REL1} .

2. Over-discharge

During discharging, $V_{IN} < V_{OVCC}$ when IC doesn't work in the state of discharge overcurrent. If any of VC1, (VC2-VC1), (VC3-VC2) is less than V_{DET2} and lasts longer than T_{OVD} . BM3452 chip considers that the batteries work in the state of over-discharge and the output voltage of DO will turn to GND. The discharge MOSFET will be turned off and stop discharging, then the chip will enter sleeping mode.

The over-discharge protection state will be released if any of the next conditions occurs:

- (1) $V_M = 0mV$, all cells' voltage is higher than V_{REL2} and stays a period of time T_{REL2} .
- (2) $V_M < -100mV$ (connecting to the charger), all cells' voltage is higher than V_{DET2} and stays a period of time T_{REL2} .

3. Discharge Overcurrent

During discharging, the current varies with the load. The voltage of V_{IN} becomes higher with the current increasing. When the voltage of V_{IN} is higher than V_{OC1} and stays longer than T_{OC1} , we think the IC works in



the state of discharge overcurrent 1; When the voltage of VIN is higher than V_{OC2} and stays longer than T_{OC2} , we consider the IC works in the state of discharge overcurrent 2; When the voltage of VIN is higher than V_{SHORT} and stays longer than T_{SHORT} , we think the IC works in the state of short circuit. When any of the three states occurs, the output voltage of DO changes to low level to turn off the discharge MOSFET and stop discharging. At the same time, R_{VMS} which is the inner pulling down resistance of VM is connected, and we know that VM is pad which we can lock the output voltage of DO by when chip works in the state of over-current discharge. Usually $V_{OC1} < V_{OC2} < V_{SHORT}$, $T_{OC1} > T_{OC2} > T_{SHORT}$. When IC works in discharge overcurrent, the output voltage of DO is locked in low level. The discharge overcurrent protection state will be released when disconnect the load.

4. Delay Time Setting

Overcharge and Over-discharge delay time can be calculated as follow:

$$T_{ov} = 10^7 \times C_{OV}; T_{ovd} = 10^7 \times C_{OVD}$$

Discharge overcurrent 1 delay time can be calculated as follow: $T_{oc1} = 2 \times 10^6 \times C_{OC1}$

Discharge overcurrent 2 delay time can be calculated as follow: $T_{oc2} = 2 \times 10^5 \times C_{OC2}$

5. Charge Overcurrent

During charging, if the current is biggish with $V_{IN} < V_{OVCC}$ and stays longer than T_{OVCC} , the BM3452 chip considers that the batteries work in the state of charge overcurrent, the output voltage of CO will be pulled down to low level and the charge MOSFET will be turned off and stop charging. Charge overcurrent protection will be released when we disconnect the charger.

6. Over-temperature

Usually, batteries should be prevented charging and discharging from over-temperature. The BM3452 chip has this over-temperature protection. The thermostat resistor connecting to NTC pad is used to induct the pack's temperature, the resistor connecting TRH pad is used to set the reference of over-temperature protection. Assuming the resistance of NTC is R_{NTC} when the pack gets to the temperature of charge over-temperature protection, and then we set the resistance R_{TRH} of TRH be $R_{TRH} = 2 \times R_{NTC}$. The over-discharge protection temperature is the temperature when the resistance of NTC become to $0.54 \times R_{NTC}$. We can set the temperature of charge and discharge protection by changing the value of R_{TRH} .

Take 103AT-4 for example, NTC resistance is 10K Ω in normal temperature (25 $^{\circ}$ C), and the temperature of charge over-temperature protection is 55 $^{\circ}$ C. When the temperature is 55 $^{\circ}$ C and chip works in the state of charging, R_{NTC} is 3.5K Ω , so R_{TRH} is equal to 7K Ω . We also know the NTC resistance is $0.54 \times R_{NTC} = 1.89$ K Ω when the pack arrive to the temperature of discharge over-temperature, the temperature is 75 $^{\circ}$ C in this condition. The hysteresial temperature of charge over-temperature is 5 $^{\circ}$ C and the hysteresial temperature of discharge over-temperature is 15 $^{\circ}$ C. During charging, when the temperature is higher than 55 $^{\circ}$ C, the output voltage of CO turns to high resistance, and will be pulled down to low level by external resistor, charge control MOSFET will be turned off and stops charging. And when the pack's temperature falls down to 50 $^{\circ}$ C, CO changes to high level and charge control MOSFET be turned on again. During discharging, when the temperature is higher than 75 $^{\circ}$ C, the output voltage of DO becomes to low level, discharge control MOSFET will be turned off and stop discharging, at the same time charge control MOSFET will also be turned off and stops charging. When pack's temperature falls down to 60 $^{\circ}$ C, the output of CO and DO turn to high level, charge and discharge control MOSFET will both be turned on again.

7. Breaking wire protection

When one or multi wires of VC1, VC2, VC3 are detected cut from the batteries by the BM3452 chip, the IC will consider it enters a state of breaking wire, then CO will be in high resistance and DO will turn to GND level, then the IC enters low consumption state.

Operation Timing Charts

1. Overcharge/Over-discharge Protection

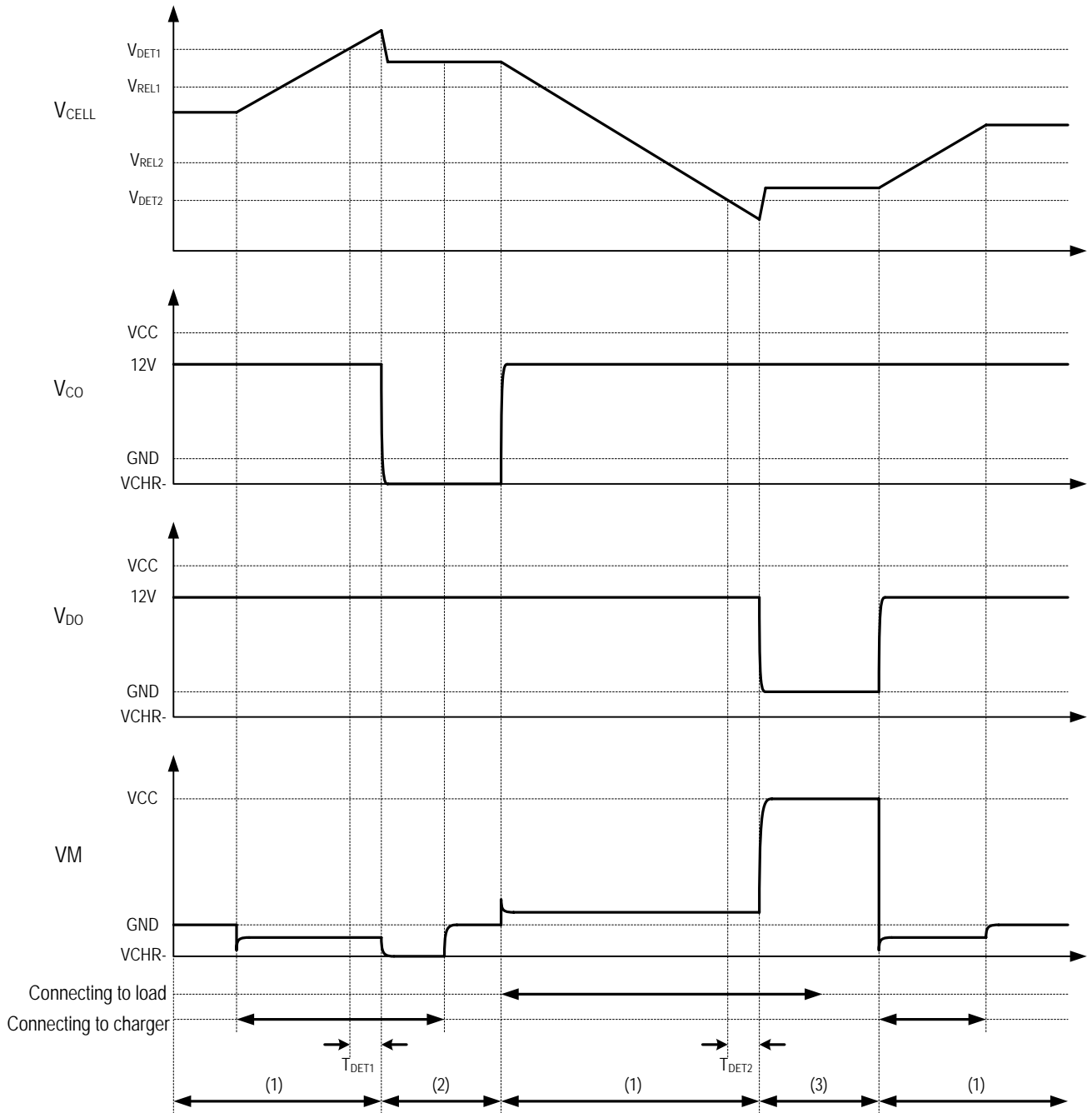


Figure 4

Assuming the charging current is constant, V_{CHR-} is the voltage of the charger's negative terminal:

- (1) Normal condition;
- (2) Overcharge protection state;
- (3) Over-discharge protection state.

2. Discharge Overcurrent / Short Circuit / Charge Overcurrent Protection

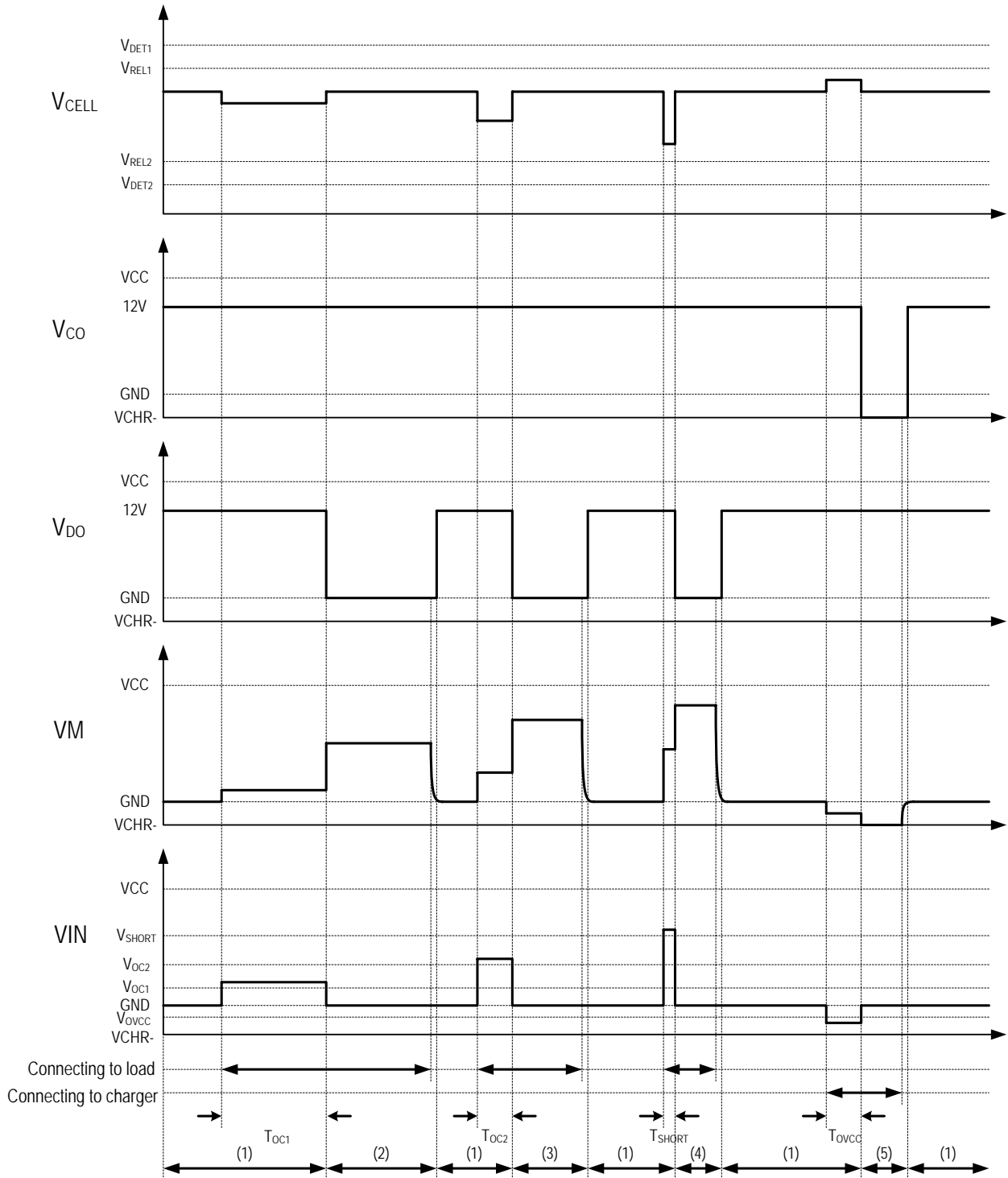


Figure 5

Assuming the charging current is constant, V_{CHR-} is the voltage of the charger's negative terminal:

- (1) Normal condition;
- (2) Discharge overcurrent 1 protection state;
- (3) Discharge overcurrent 2 protection state;
- (4) Short circuit protection state;
- (5) Charge overcurrent protection state.

Application Circuits

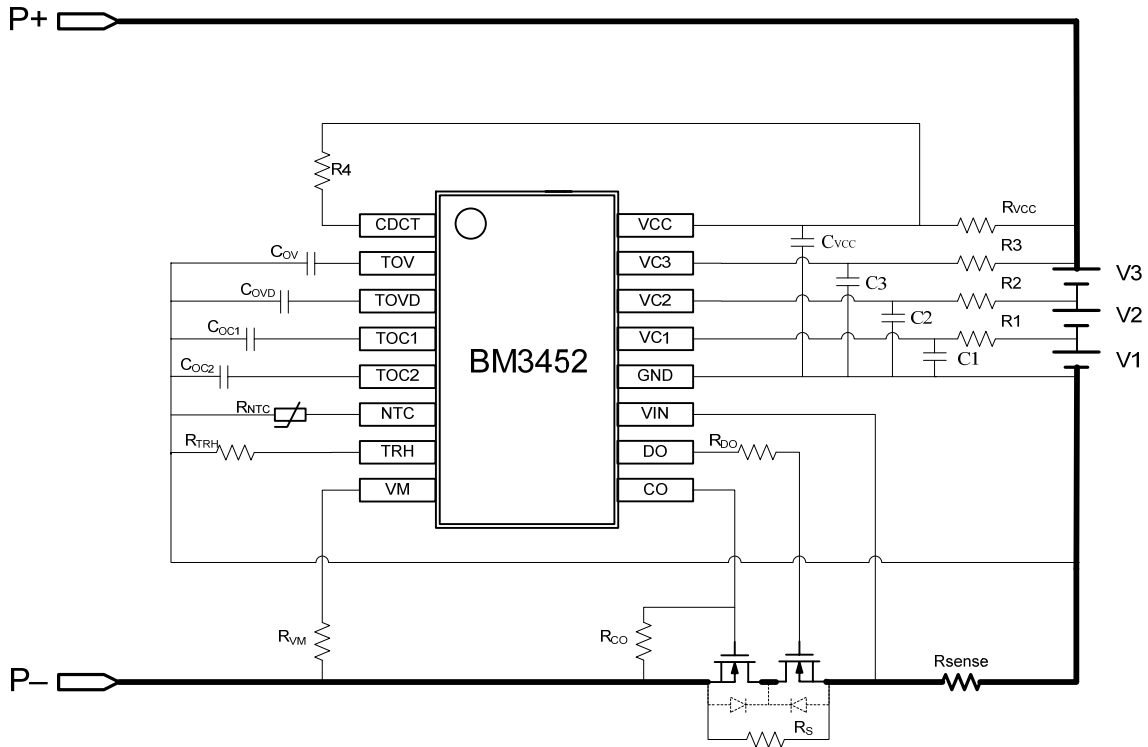


Figure 6 (a-1) 3-cell application
---charge and discharge circuits together

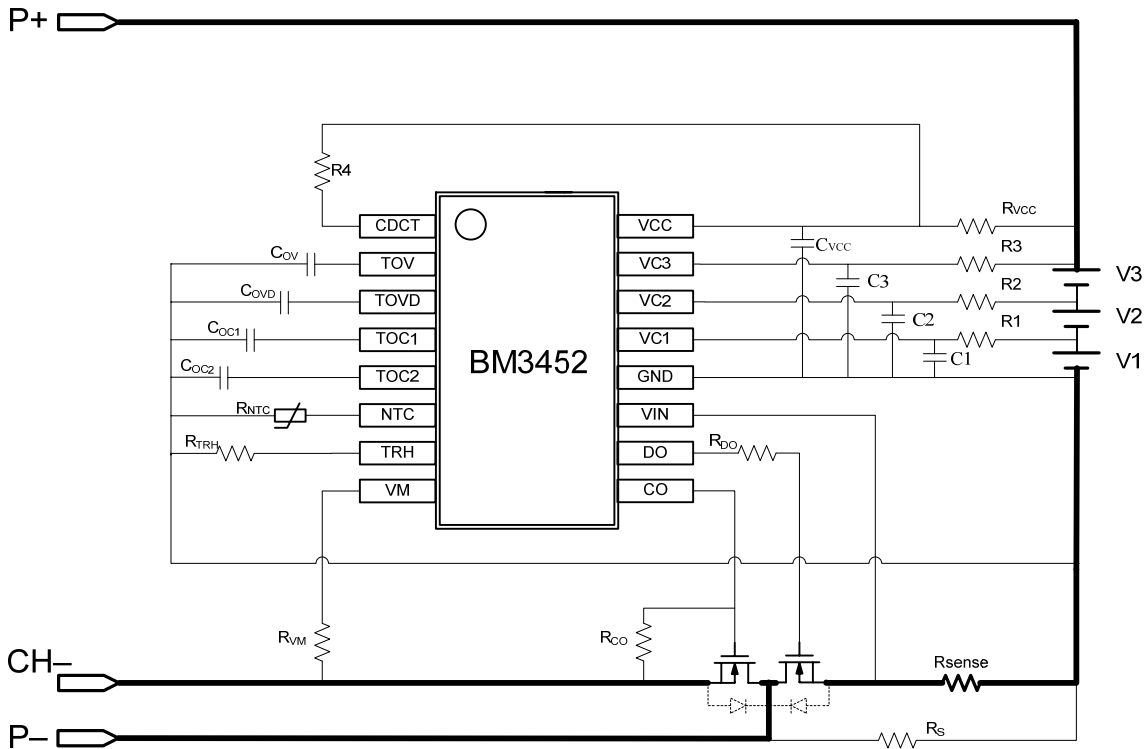


Figure 6 (a-2) 3-cell application
---charge and discharge circuits separated

**Constants for External Components:**

Component Symbol	Typ.	Range		Unit
R1, R2, R3	1000	100 ~ 1000		Ω
R _{VCC}	1000	100 ~ 1000		Ω
R4	1	1 ~ 2		M Ω
R _{NTC}	10	-		k Ω
R _{TRH}	7	-		k Ω
R _{VM}	220	10-500		k Ω
R _{CO} , R _S	10	5~15		M Ω
R _{DO}	2	1~10		k Ω
R _{sense}	5	1 ~ 20		m Ω
C _{VCC}	10	10 ~ 100		μ F
C1, C2, C3	1.0	0.1 ~ 10	Maximum endurable voltage >50V	μ F
C _{OV} , C _{OVD} , C _{OC1} , C _{OC2}	0.1	-		μ F

Table 6



Test Circuits

1. Normal and Sleeping Current Consumption

Test circuit 1

- (1) Set $V1=V2=V3=3.50V$, the current flowing to GND is the normal operating current consumption.
- (2) On the condition of (1), then set $V1=V2=V3=2.0V$, the current flowing to GND is the sleeping current consumption.

2. Overcharge Protection Test

Test circuit 2

2.1 Overcharge threshold (V_{DET1}) and Overcharge release threshold (V_{REL1})

Set $V1=V2=V3=3.50V$, make sure the output voltages of DO and CO pins are “H” level. Increase $V3$ gradually, monitor CO voltage and keep the condition not shorter than T_{det1} , the value of $V3$ when CO turns from “H” to “L” is the overcharge threshold voltage. Decrease $V3$, the $V3$ when CO returns to “H” level again is the overcharge release threshold.

2.2 Overcharge protection delay time and Overcharge release delay time

- (1) Set $V1=V2=V3=3.50V$, make sure the output voltages of DO and CO pins are “H” level. Increase $V3$ to 4.4V from 3.5V instantaneously, monitor CO voltage and keep a period of time. The time interval when CO turns from “H” to “L” is the overcharge protection delay time.
- (2) Set $V1=V2=3.50V$, $V3=4.4V$, make sure the output voltage of DO is “H” level, CO is “L” level. Decrease $V3$ to 3.5V from 4.4V instantaneously, monitor CO voltage and keep a period of time. The time interval when the output voltage of CO turns from “L” to “H” is the overcharge release delay time.

3. Over-discharge Protection Test

Test circuit 2

3.1 Over-discharge threshold (V_{DET2}) and Over-discharge release threshold (V_{REL2})

Set $V1=V2=V3=3.50V$, make sure the output voltages of DO and CO pins are “H” level. Decrease $V3$ gradually, monitor DO voltage and keep the condition not shorter than T_{det2} , the value of $V3$ when the output voltage of DO turns from “H” to “L” is the over-discharge threshold voltage. Increase $V3$, the value of $V3$ when DO returns to “H” level again is the over-discharge release threshold.

3.2 Over-discharge protection delay time and Over-discharge release delay time

- (1) Set $V1=V2=V3=3.50V$, make sure the output voltages of DO and CO pins are “H” level. Decrease $V3$ to 2.0V instantaneously, monitor DO voltage and keep a period of time. The time interval when DO turns from “H” to “L” is the over-discharge protection delay time.
- (2) Set $V1=V2=3.50V$, $V3=2.0V$, make sure CO is “H” level, DO is “L” level. Increase $V3$ to 3.5V instantaneously, monitor DO voltage and keep a period of time. The time interval when the output voltage of DO turns from “L” to “H” is the overcharge release delay time.

4. Discharge overcurrent and short circuit Protection Test

Test circuit 3

4.1 Discharge overcurrent1 and 2 threshold (V_{DET3} , V_{DET4}) and short circuit threshold (V_{SHORT})

Set $V1=V2=V3=3.5V$, $V4=0V$, make sure the output voltages of DO and CO pins are “H” level. Increase $V4$ gradually, monitor Do voltage and keep the condition for a period of time, the value of $V4$ when the output voltage of Do turns from “H” to “L”, is the discharge overcurrent 1 threshold (V_{DET3}). Decrease $V4$, the discharge overcurrent 1 protection will be released. V_{DET4} and V_{SHORT}



can also be tested by their protection time differences, but V4 has a larger change.

4.2 Discharge overcurrent protection delay time and release delay time

- (1) Set $V1=V2=V3=3.50V$, $V4=0V$, make sure the output voltages of DO and CO pins are “H”. Increase V4 to 0.2V instantaneously, monitor DO voltage and keep a period of time. The time interval when the output voltage of DO turns from “H” to “L” is the discharge overcurrent 1 protection delay time.
- (2) Set $V1=V2=V3=3.50V$, $V4=0V$, make sure the output voltages of DO and CO pins are “H”. Increase V4 instantaneously with its value be larger, monitor DO voltage and keep a period of time. The time interval when the output voltage of DO turns from “H” to “L” is the discharge overcurrent 2 protection delay time, make sure its value is less than the discharge overcurrent 1 protection delay time, then the value of V4 at this time is the discharge overcurrent 2 threshold.
- (3) Set $V1=V2=V3=3.50V$, $V4=0V$, make sure the voltages of DO and CO pins are “H”. Increase V4 instantaneously with its value lager and larger, monitor DO voltage and keep a period of time. The time interval when DO turns from “H” to “L” is the short circuit protection delay time, make sure its value is less than the discharge overcurrent 2 protection delay time, and the value of V4 at this time is the short circuit threshold.
- (4) Set $V1=V2=V3=3.50V$, $V4=0.2V$, make sure the output voltage of DO pin and CO pin is “L” and “H”. Decrease V4 to 0V instantaneously, monitor DO voltage and last a period of time. The time interval when DO turns from “L” to “H” is the discharge overcurrent 1 release delay time, we can test the release delay time of discharge overcurrent 2 and short circuit by using the same method.

5. Charge overcurrent Protection Test

Test circuit 4

5.1 Charge overcurrent threshold

Set $V1=V2=V3=3.50V$, $V4=0V$, make sure the output voltages of DO and CO pins are “H”. Increase V4 gradually, monitor CO voltage and keep a period of time. The value of V4 when the output voltage of CO turns from “H” to “L” is the charge overcurrent threshold.

5.2 Charge overcurrent protection delay time

Set $V1=V2=V3=3.50V$, $V4=0V$, make sure the output voltages of DO and CO pins are “H”. Increase V4 to 0.3V instantaneously, monitor the CO voltage and keep a period of time. The time interval when the output voltage of CO pin turns from “H” to “L” is the charge overcurrent protection delay time.

6. Output/Input Resistance Test

7.1 The output resistances of CO and DO

- (1) The output resistance when the output voltages of CO and DO pins are both “H”.

Test circuit 5,6

Set $V1=V2=V3=3.50V$, $V4=12.0V$, turn off the switch K and make sure the output voltage of CO pin is “H”. Measure the voltage V_A of CO pin; turn on the switch K, decrease the voltage V4 gradually from 12V, monitor the value of I_A , and note down the output voltage V_B of CO pin when the value of I_A is 50uA, then the output resistance of CO is calculated as follows: $R_{COH} = (V_A - V_B)/50$ (M Ω)

We can also test the output resistance R_{DOH} of DO pin with using the same method.

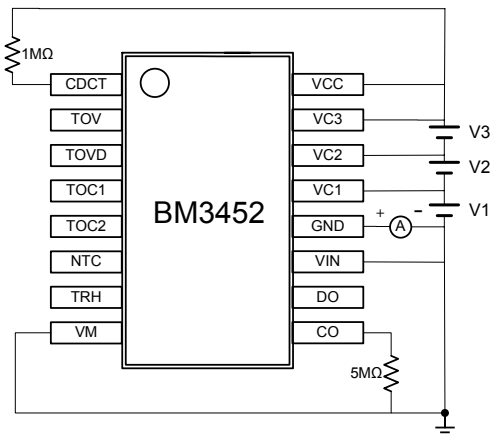
- (2) The output resistance when the output voltage of DO pin is “L”.

Test circuit 6

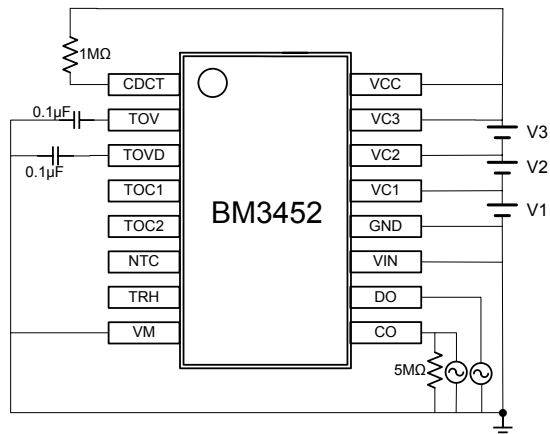
Set $V1=V2=V3=2.00V$, $V4=0.00V$, turn off the switch K and make sure the output voltage of DO pin is “L”. Turn on the switch K, increase the voltage V4 gradually from 0V, monitor the value of I_A ,



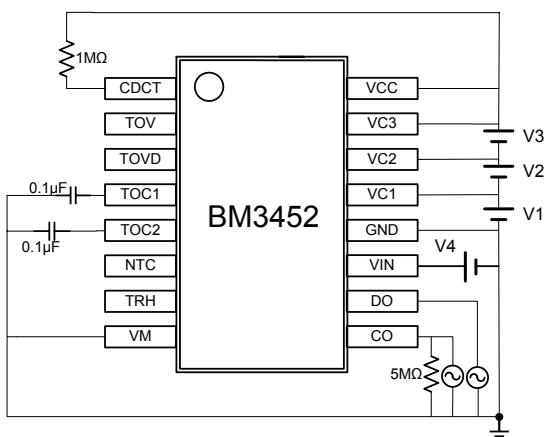
note down the output voltage V_{DO} of DO pin when the value of I_A is 50uA, then the output resistance of DO is calculated as follows: $R_{DOL} = V_{DO}/50$ (MΩ)



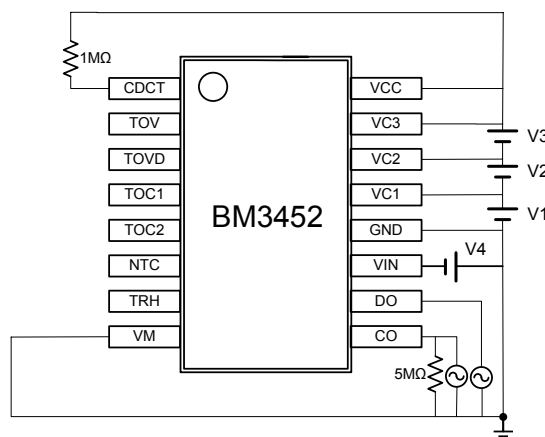
Test Circuit 1



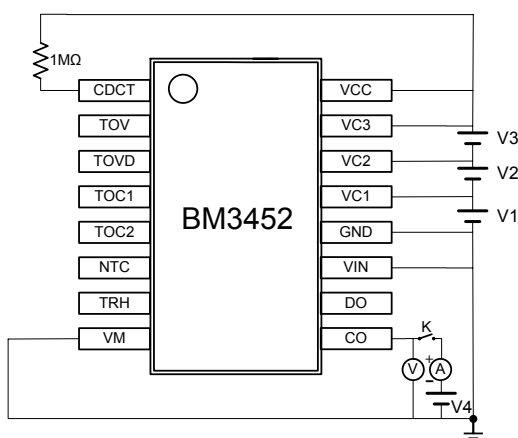
Test Circuit 2



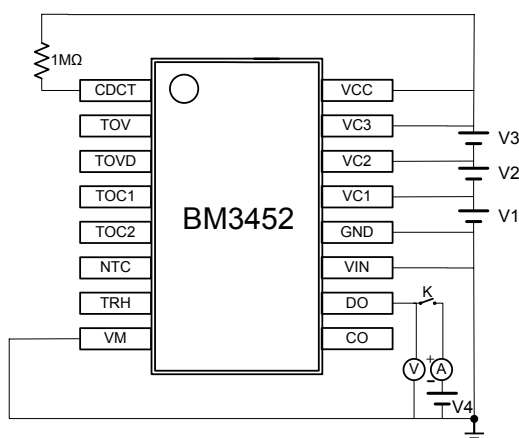
Test Circuit 3



Test Circuit 4



Test Circuit 5

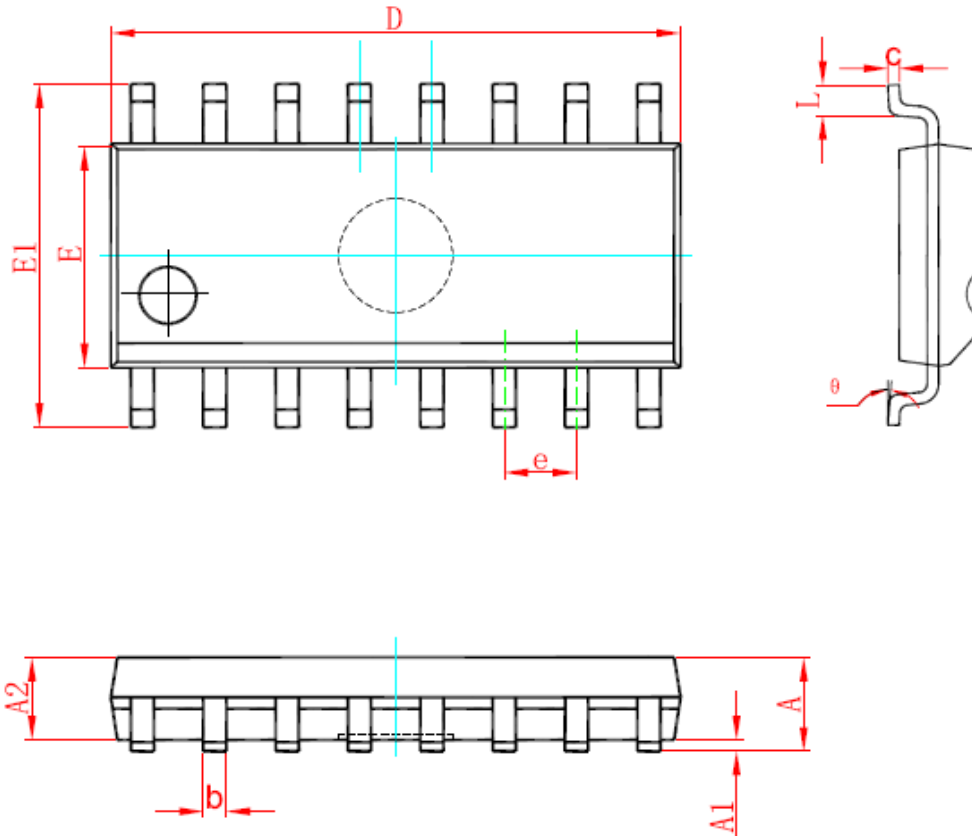


Test Circuit 6



Package Information

SOP16 PACKAGE OUTLINE DIMENSIONS



Symbol	Dimensions In Millimeters		Dimensions In Inches	
	Min	Max	Min	Max
A	1.350	1.750	0.053	0.069
A1	0.100	0.250	0.004	0.010
A2	1.350	1.550	0.053	0.061
b	0.330	0.510	0.013	0.020
c	0.170	0.250	0.007	0.010
D	9.800	10.200	0.386	0.402
E	3.800	4.000	0.150	0.157
E1	5.800	6.200	0.228	0.244
e	1.270 (BSC)		0.050 (BSC)	
L	0.400	1.270	0.016	0.050
θ	0°	8°	0°	8°



Restrictions on Product Use

- The information contained herein is subject to change without notice.
- BYD Microelectronics Co., Ltd. (short for BME) exerts the greatest possible effort to ensure high quality and reliability. Nevertheless, semiconductor devices in general can malfunction or fail due to their inherent electrical sensitivity and vulnerability to physical stress. It is the responsibility of the buyer, when utilizing BME products, to comply with the standards of safety in making a safe design for the entire system, including redundancy, fire-prevention measures, and malfunction prevention, to prevent any accidents, fires, or community damage that may ensue. In developing your designs, please ensure that BME products are used within specified operating ranges as set forth in the most recent BME products specifications.
- The BME products listed in this document are intended for usage in general electronics applications (computer, personal equipment, office equipment, measuring equipment, industrial robotics, domestic appliances, etc.). These BME products are neither intended nor warranted for usage in equipment that requires extraordinarily high quality and/or reliability or a malfunction or failure of which may cause loss of human life or bodily injury (“Unintended Usage”). Unintended Usage include atomic energy control instruments, airplane or spaceship instruments, transportation instruments, traffic signal instruments, combustion control instruments, medical instruments, all types of safety devices, etc.. Unintended Usage of BME products listed in this document shall be made at the customer’s own risk.
- BME is not responsible for any problems caused by circuits or diagrams described herein whose related industrial properties, patents, or other rights belong to third parties. The application circuit examples explain typical applications of the products, and do not guarantee the success of any specific mass-production design.